



[www.hisntd.com](http://www.hisntd.com)

**CNC SHAPING, SHAVING  
CHAMFERING, DEBURRING  
GEAR CUTTING MACHINES**



## GSP-250

CNC GEAR SHAPING MACHINE



Maximum workpiece diameter: 250 mm / 9.84"  
Maximum workpiece module: M6 / 4.25DP  
Spindle motor: 3.7 / 4.9Kw  
Maximum number of stroke: 700str/min  
Maximum cutting stroke: 65mm / 2.56"  
3-axis CNC control  
Heavy high-strength columns and counter columns  
Chip collection by magnetic chip separator  
Operator friendly orientation of control panel and  
machine cabinet access

## S&T CNC GEAR SHAPING MACHINE

GSP-250

### High-Pressure Hydraulic Static Pressure Guide Used

Superior cutting stability and vibration reduction are provided. Precise run-out of head is guaranteed by applying high-pressure hydraulic static pressure guide and metal bush to the shaping head.



### High-precision Dual Lead Worm Table Index

By using a dual lead worm (with the precision level less than 10 microns for transmission error). Excellent control on backlash is achieved while guaranteeing high precision for gear processing.



### Interactive Programming Environment 3-axis CNC

By utilizing GUD (Global User Data) interactive programming workpiece set-up is quick with just the input of specifications of hob cutter, workpiece, and cutting condition.

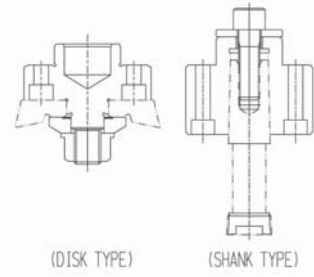


**OPTIONAL ACCESSORIES**

**Shaping Jig**



**Cutter Arbor Set**



**Magnetic Separator**



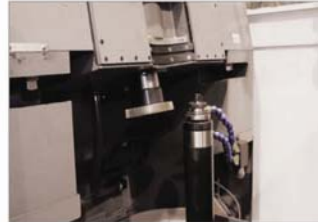
**Helical Guide**



**Tail Stock**



**Tilting Type Column**



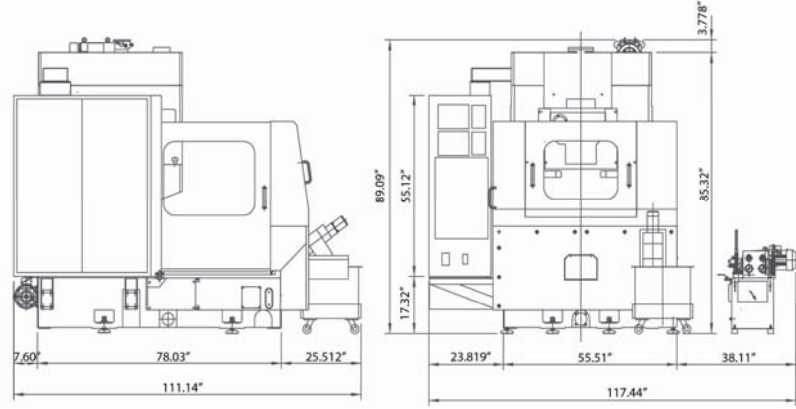
**Pinion Cutter**



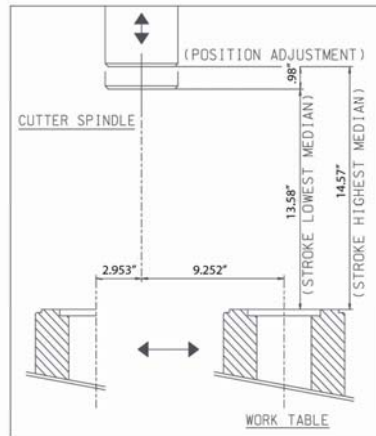
**Auto Loading System**



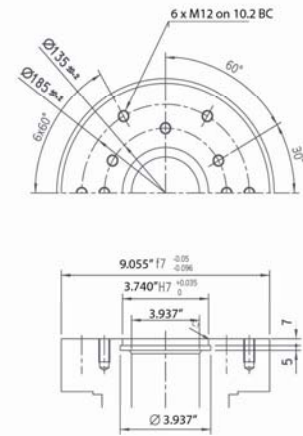
**GSP-250 Machine Dimensions**



**GSP-250 Working Area**



**GSP-250 Table Specification**



**Standard Accessories**

- Main Body
- Half Splash Guard
- Leveling Bolt and Nut
- Standard Tool Kit
- Work Light

**Optional Accessories**

- Tail Stock
- Helical Guide
- Magnetic Separator
- Cutter Arbor Set
- Shaping Jig
- Pinion Cutter
- Tilting Type Column
- Transformer
- Auto Loading System
- Ele. Cabinet Air Conditioner