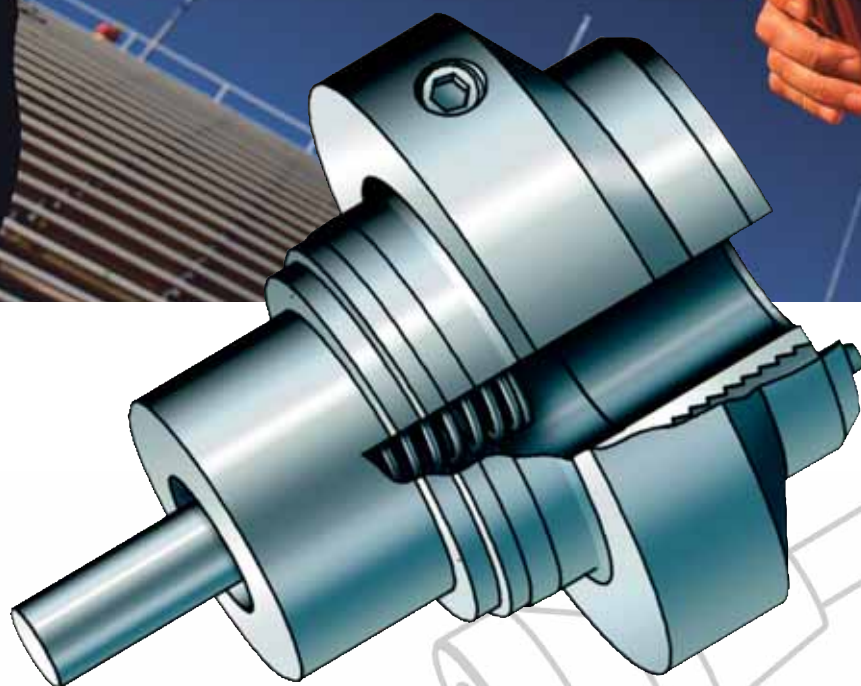


Fast and Safe Change



Quick-Change Chucks

Reduced tooling expenditure and set-up costs via easier and faster change of clamping tools such as mandrels and chucks



More Productivity for your Machine Tools

Experience in clamping technology

For decades, König-mtm has been one of the leading manufacturers of state-of-the-art high-precision clamping devices. The extensive production program covers clamping tools such as mandrels and chucks in hydraulic, mechanical or hydro-mechanical versions.

Clamping tools for market leaders

König-mtm's clamping chucks and the Königdorn® are well known in the tool industry and are well established as original equipment on top-class high-precision CNC controlled machine tools.

The new quick-change chuck

For today's machine tools the complexity of machining tasks, the variety of workpieces and accordingly the number of clamping tools increase permanently.

Resulting from substantial experience in clamping technology König-mtm has developed a new generation of quick-change chucks.

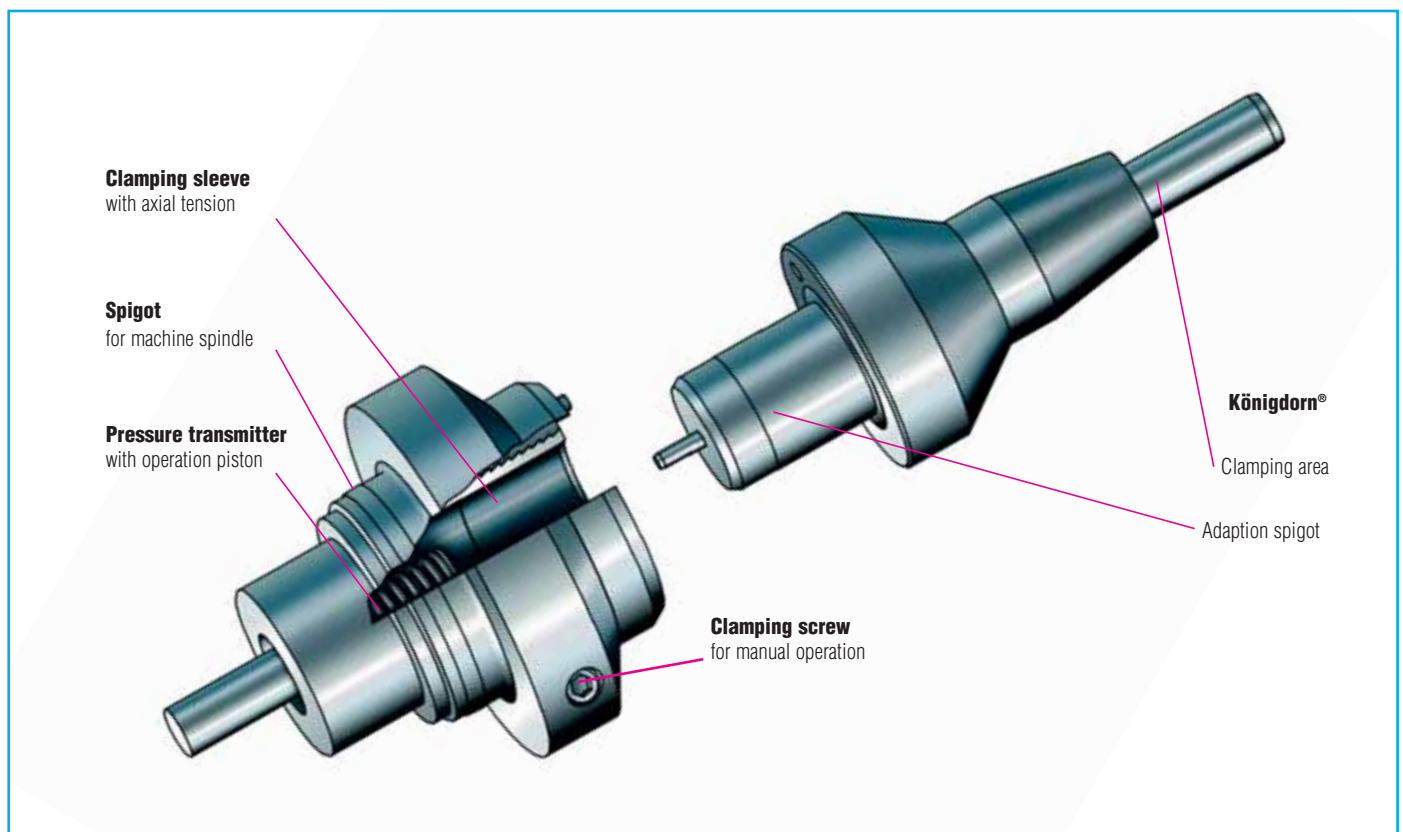
These chucks minimize tooling expense as well as changeover times. This yields reduced costs and higher productivity, meeting the basic requirement of more efficient machining operations.

Better workpiece flexibility

Machine tools equipped with König-mtm's quick-change chucks allow faster change of clamping tools versus machines with conventional chucks.

Accordingly, as lot sizes decrease the number of machine tools operating in frequent changeover environments is increasing.

Hydro-mechanical Quick-Change Chuck



The New Quick-Change Chuck

One connection for all clamping tools

By harmonizing the adaption configuration, a simple effortless change of the clamping device is possible.

Easy and safe operation

The quick-change chuck is operated manually by a hexagonal key. By means of the pressure being built up within the clamping sleeve, the mandrel or chuck is centered, clamped and axially located against the flange with positive force. This results in solid full-contact clamping which assures an absolutely deflection-resistant connection between quick-change chuck and workpiece clamping tool.

Hydraulic Quick-Change Chuck



Operation of clamping tools as usual

Usually, the clamping mandrels and chucks are operated directly by the hydraulic system of the machine or by a pressure transmitter which is integrated in the quick-change chuck.

On relaxing, integrated springs push the piston back to the starting position.

Technological Advantages

- easy changeover of the clamping tools (no screws – no bolt on)
- good radial and axial run-out accuracy
- excellent wear-resistance

Economic Advantages

- reduced expenditure of tooling
- reduced retooling times
- reduction of tooling costs
- high workpiece flexibility
- increased productivity

Made-to-measure for every machine

The type – either hydraulic or hydro-mechanical version – as well as the specific design of the quick-change chuck is individually tailored to the construction of the machine tool, the machining tasks and the shape of the workpieces.

The hydro-mechanical type is always used when a very compact shape is required, i.e. to reduce interference collisions, under particularly cramped installation conditions, and if larger adaption shapes are requested.



The König Group is located in Wertheim, the most northern town of Baden-Württemberg.

Lying on the confluence of the Main and Tauber rivers, the former seat court of the Count of Wertheim has a particular atmosphere with its ancient lanes, half-timbered houses and the castle ruin from the 12th century.

Production Program

Mechanical mandrels
Hydraulic mandrels
Mechanical chucks
Hydraulic chucks
Splined mandrels
Light-weight mandrels
Complete holding devices
Electronic clamping pressure control
Special mandrels
Clamping mandrels for hobs
Rotor milling devices
Special collet chucks
Special flanges
Spindles



König-mtm GmbH, Spanntechnik

P.O. Box 14 63 · D-97864 Wertheim
Am Stammholz 13 · 97877 Wertheim
Tel.: +49 (0) 93 42 8 76-0
Fax: +49 (0) 93 42 8 76-123
e-Mail: sales@koenig-mtm.de
www.koenig-mtm.de

Quality Management:
ISO 9001:2000 certified

Environment Management:
ISO 14001 certified

© 2005 by König-mtm, Spanntechnik

Products and methods are subject to change without notice.